



Ultra short depth
400mm / 15.7"



Benefits

- ▶ 1U 17" 4K LCD display drawer
- ▶ 3840 x 2160@60Hz native resolution / 16.7M colors (8-bit)
- ▶ 1920 x 1080 & 1920 x 1200 resolution support
- ▶ Display port 1.2 video input
- ▶ Ideal for open rack / short depth rack
- ▶ Built-in dual stereo speakers
- ▶ One Man installation design
- ▶ Enhanced aesthetics with molded front panel and two point lock

Options

- HDMI 2.0 video input
- 3G / HD / SD-SDI Broadcast-grade input
- DC power : 12V / 24V / 48V / 125V
- Touchscreen : Resistive 1-pt

Product Specifications

Console Port	
Video input attached 6ft DP cable	Display port 1.2

Video Option		
Digital	HDMI	HDMI 2.0 / HDCP 2.2

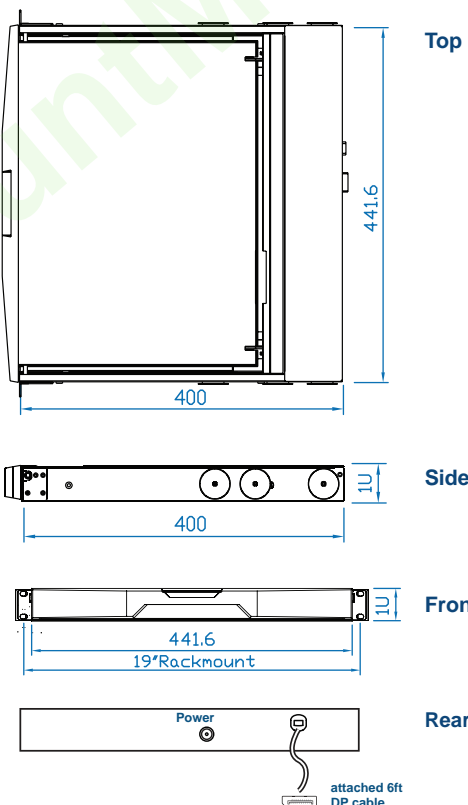
LCD Panel	
Panel size (diagonal)	17.3"
Native resolution	3840 x 2160@60Hz
Brightness (cd/m ²)	300
Contrast ratio (typ)	1000 : 1
Colors	16.7 M, 8-bit
Viewing angle (L/R/U/D)	89/89/89/89
Response time (ms)	16
Dot pitch (mm)	0.0995
Display area (mm)	382.12H x 214.94V
Surface treatment	Anti-glare
Surface hardness	3H
Backlight type	LED
MTBF (hrs)	15,000

Mounting Distance	
Display drawer	410 ~ 640 mm 16.1 ~ 25.2 inch

Physical		
Dimensions (W x D x H)	Product	442 x 400 x 44 mm 17.4 x 15.7 x 1.73 inch
Weight	Net	8.7 kg / 19.1 lb

* All dimensions stated are subject to change if options are selected / integrated to base model part codes

Diagrams (mm)



Power		
Input	Auto-sensing 100 to 240VAC, 50 / 60Hz	
Consumption (console / KVM)	Screen on	Max. 21W
	Power saving mode	Max. 2W
	Power button off	Max. 1W

Environment	
Operating temp.	0 to 55°C degree
Storage temp.	-20 to 60°C degree
Operating humidity	20~90%, non-condensing
Storage humidity	5 ~90%, non-condensing
Operating altitude	16,000 ft
Non-operating altitude	40,000 ft
Shock	10G acceleration (11ms duration)
Vibration	10~300Hz 0.5G RMS random vibration

Compliance	
EMC	FCC & CE certified
Safety	CE / LVD certified
Environment	RoHS3 & REACH compliant